



IMPACT RESISTANT LUMINAIRES

PACO
a brand of **LMP3**

PUCSW



PUCSA

PUCSA & PUCSW

ARCHITECTURAL HIGH ABUSE SEALED WRAPAROUND

- **Our Luminaires** are designed for high-abuse public spaces featuring robust construction without compromising lighting performance, aesthetics, and energy efficiency.
- **PUCSA & PUCSW** features rigid polycarbonate security lenses, tamper-resistant fasteners, and heavy-duty gauge cold rolled or galvanized housing with die-cast aluminum caps.
- **Recommended use:** public spaces such as parking garages, entryways, stairwells, pedestrian tunnels, locker rooms, corridors, and gymnasiums.





PUCSA



PUCSW



LISTINGS



PUCSA - FEATURES

Tamper resistant torx
button head screws

Die cast aluminum
end caps

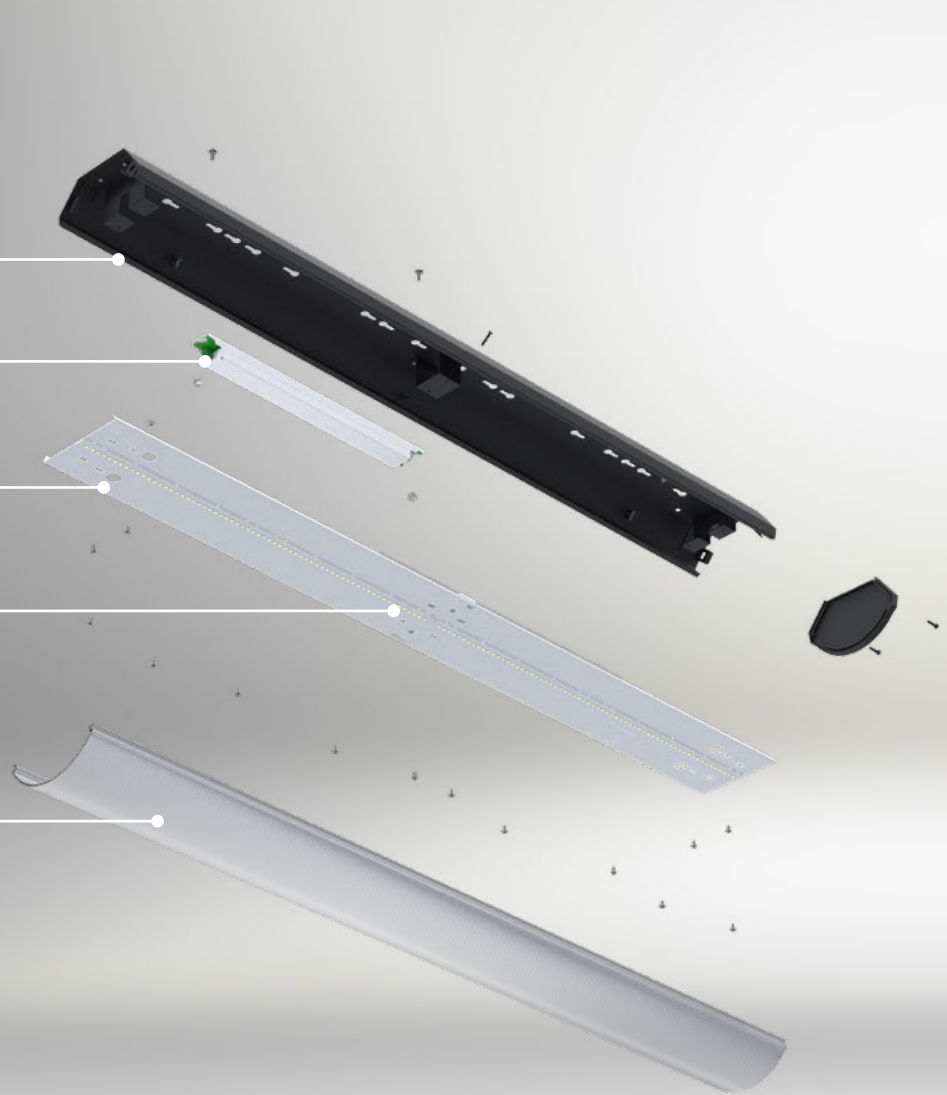
16GA Cold rolled
steel housing

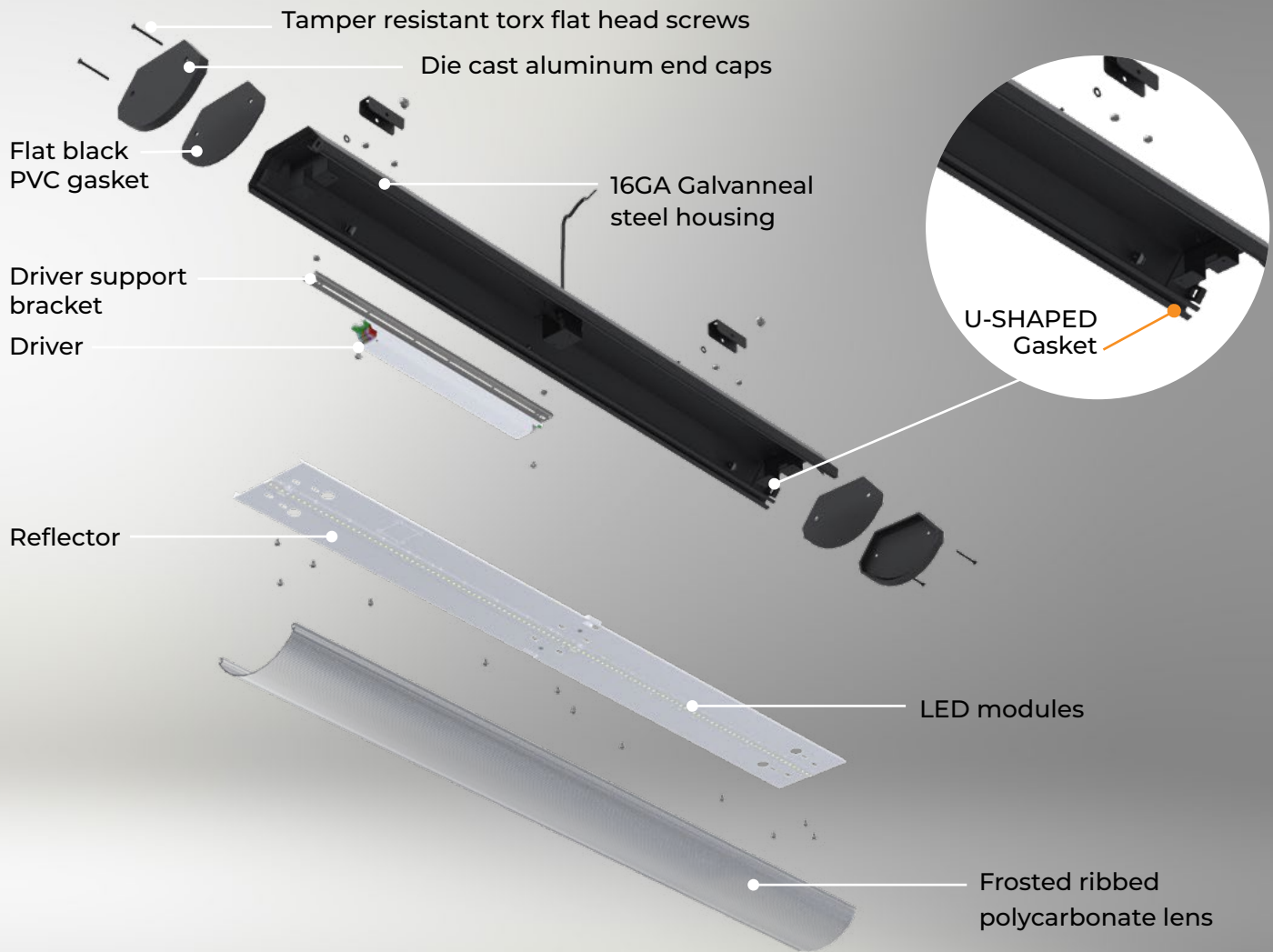
Driver

Reflector

LED modules

Frosted ribbed
polycarbonate lens





PUCSW - FEATURES



LOCAL / GLOBAL
PACO LIGHTING

Follow Us:



LinkedIn



Facebook



Instagram



info@pacolighting.com | www.pacolighting.com