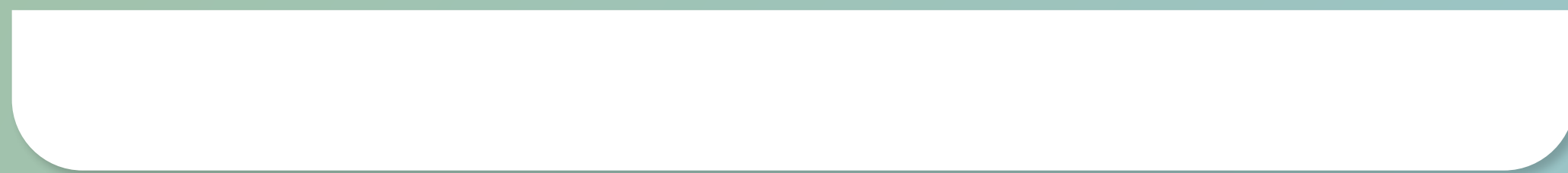
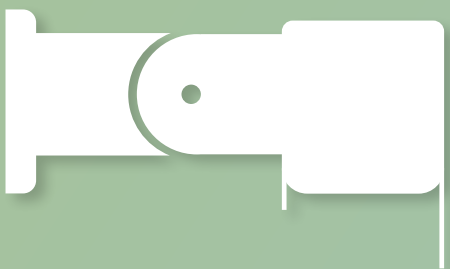
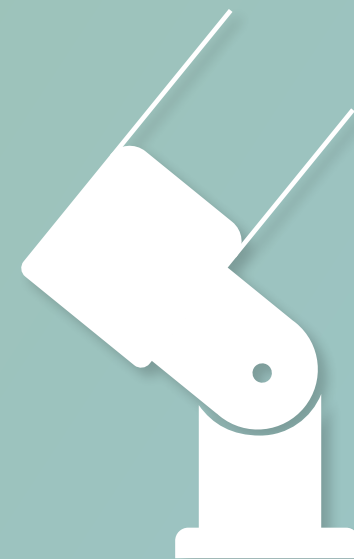
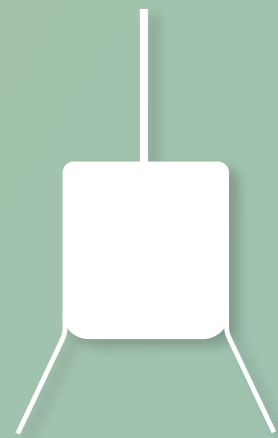
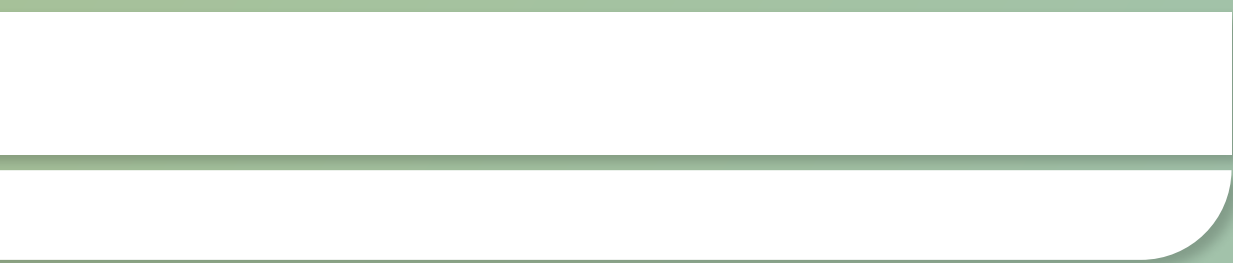


It's a RAPP!

MEET THE RAPP FAMILY!



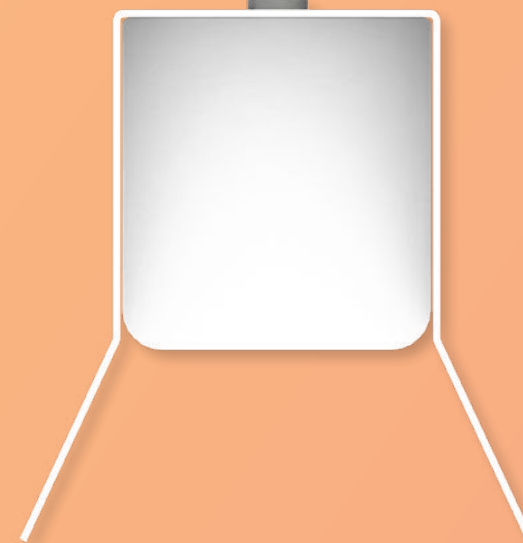
PENDANT [↗](#)

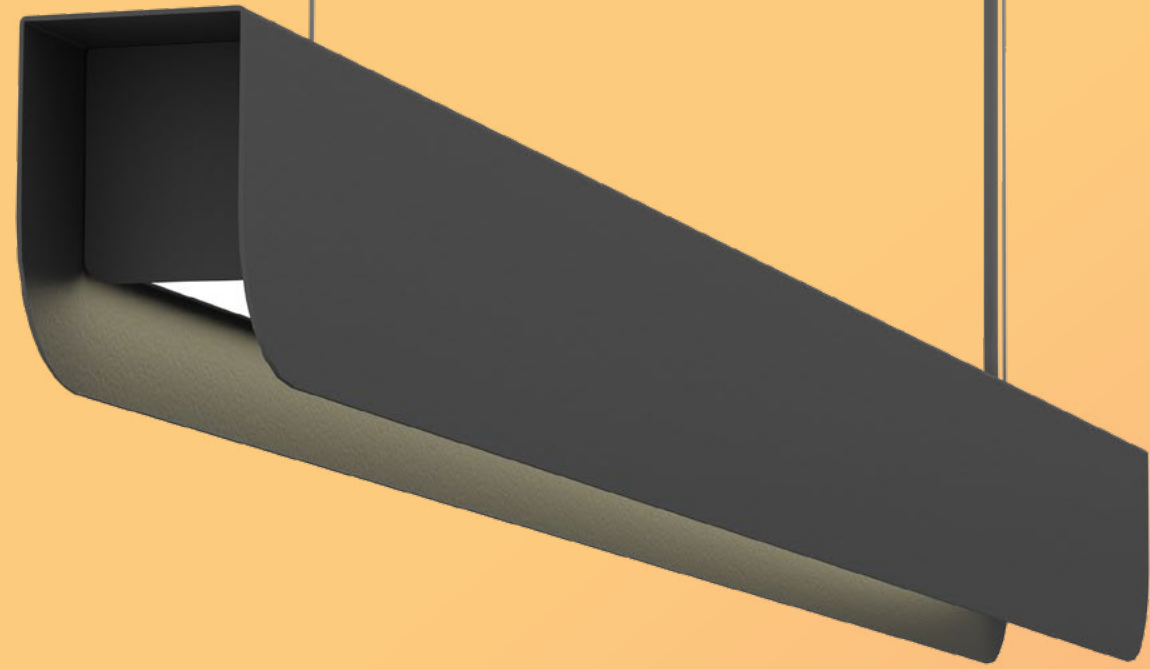
SURFACE [↗](#)

WALL MOUNT [↗](#)

ADJ. WALL MOUNT [↗](#)

RAPP PENDANT



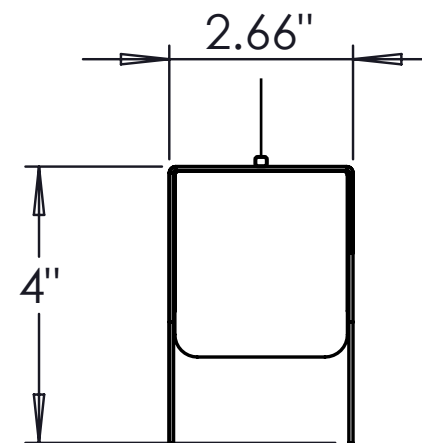


RAPP-P-4D

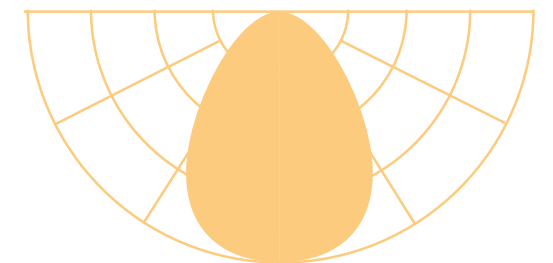
[SPEC SHEET & IES FILES](#)

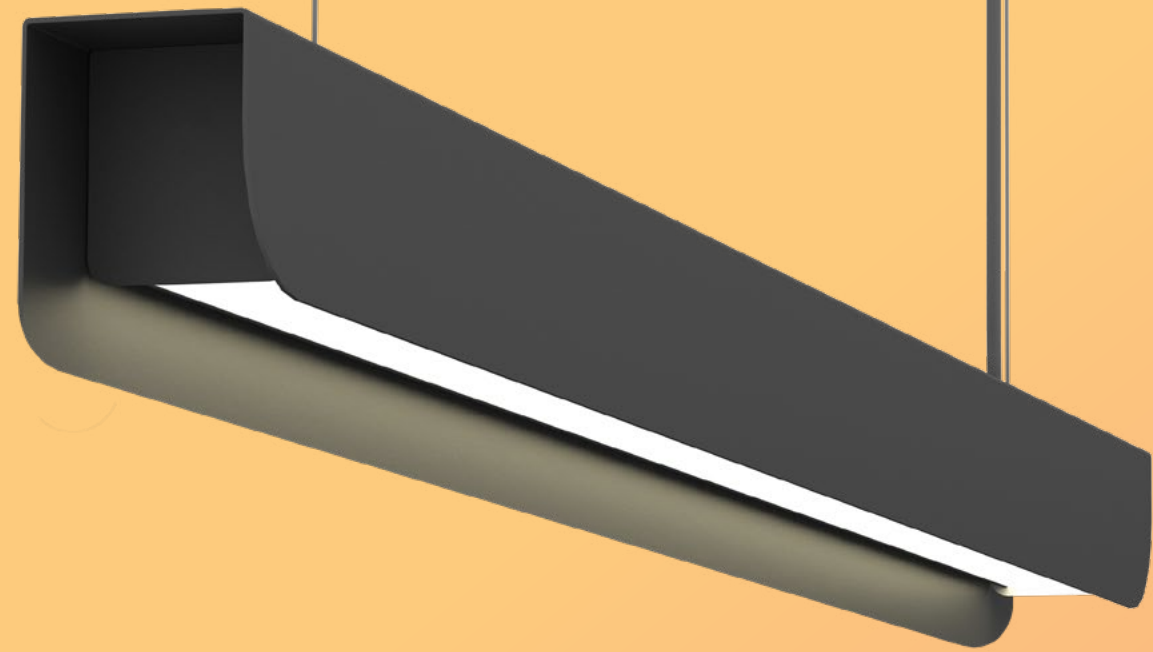


Straight pendant 4" deep RAPP with symmetric flood distribution. Ideal for general lighting applications with excellent uniformity. Ideal for open areas like offices, cafeterias, classrooms and many more applications.



LIGHT DISTRIBUTION



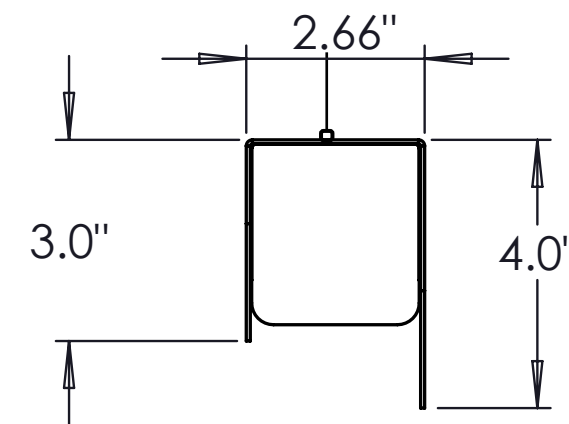


RAPP-P-ASY-4D

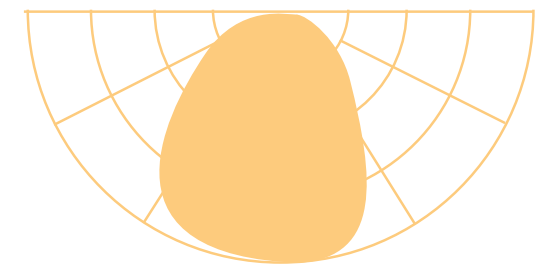
[SPEC SHEET & IES FILES](#)

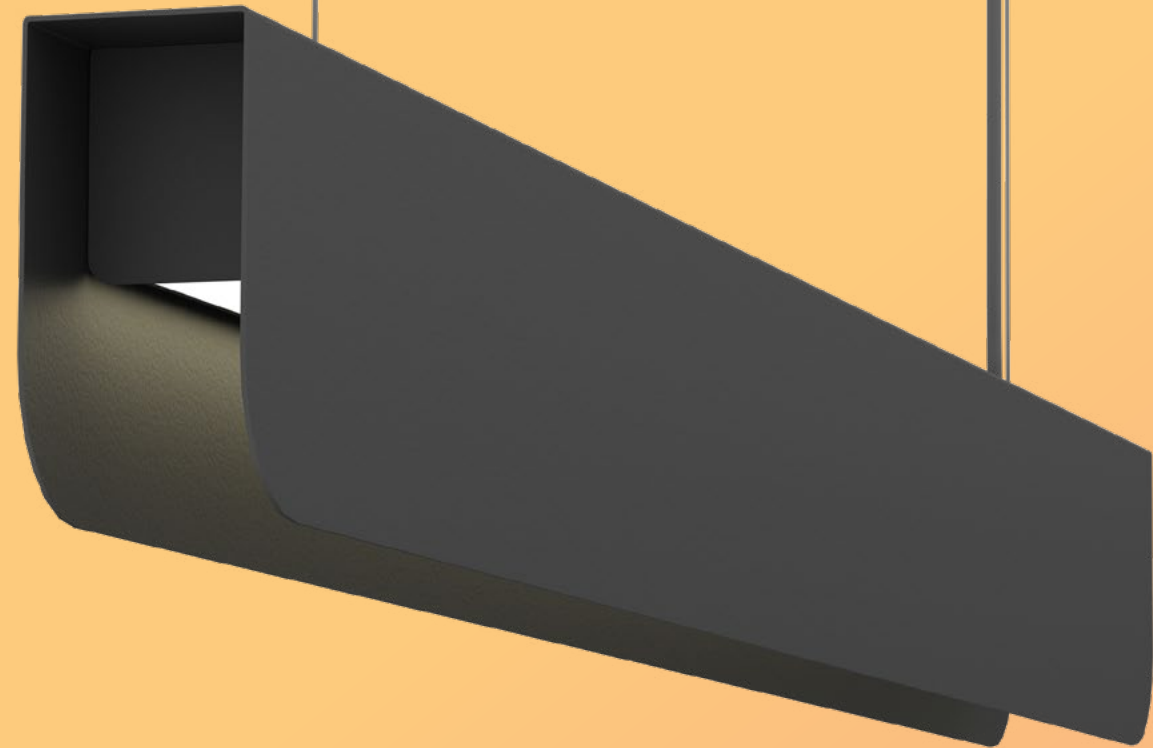


The RAPP pendant 4" asymmetric deflector is a discrete way to light up a wall area from the ceiling down. Being smaller the luminaire can perfectly blend with its surroundings or act as a small accent if painted a different color.



LIGHT DISTRIBUTION



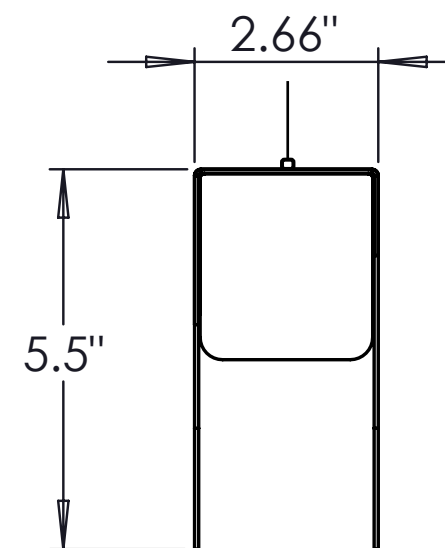


RAPP-P-6D

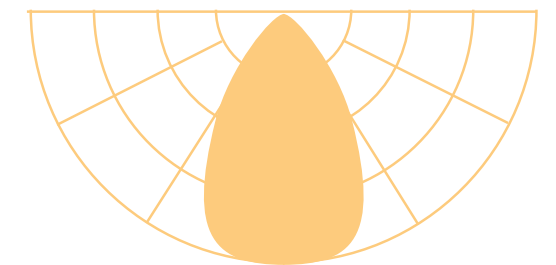
[SPEC SHEET & IES FILES](#)

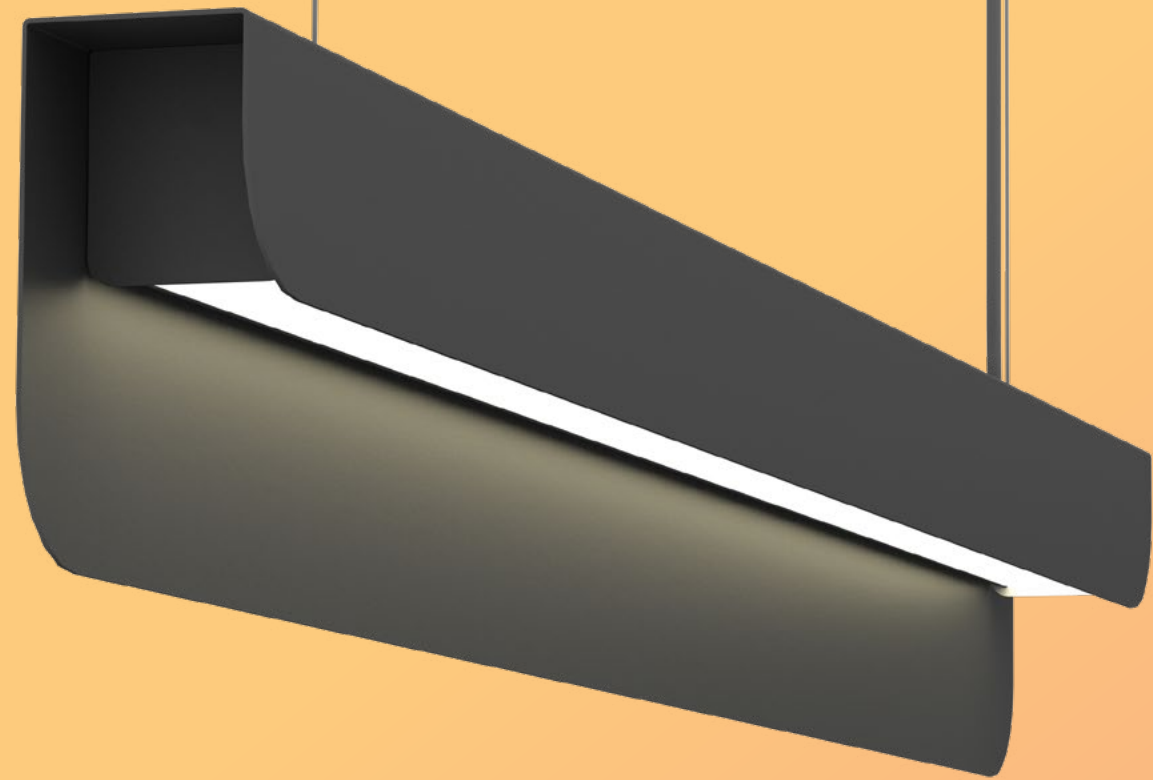


Straight pendant 5.5" deep RAPP for narrow distribution. Focus light where it's important. Ideal for conference rooms, restaurant tables, corridors & task lighting.



LIGHT DISTRIBUTION



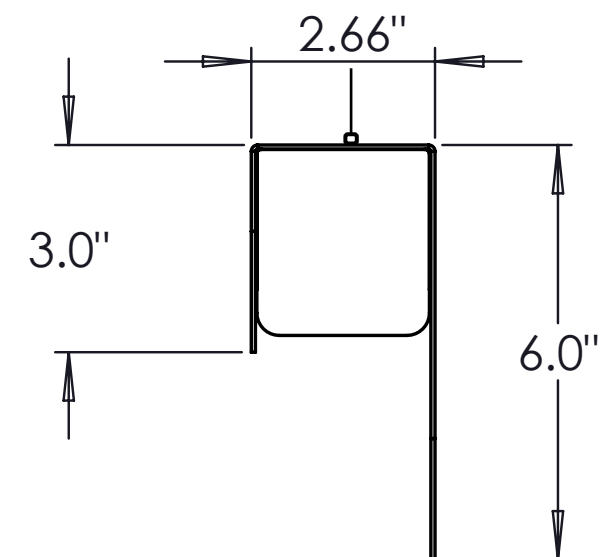


RAPP-P-ASY-6D

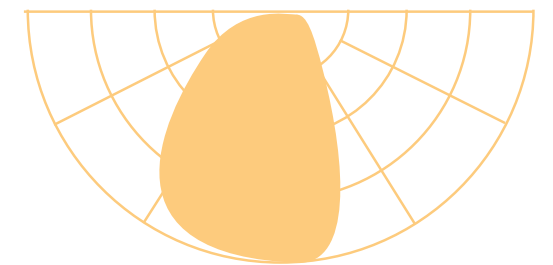
[SPEC SHEET & IES FILES](#)

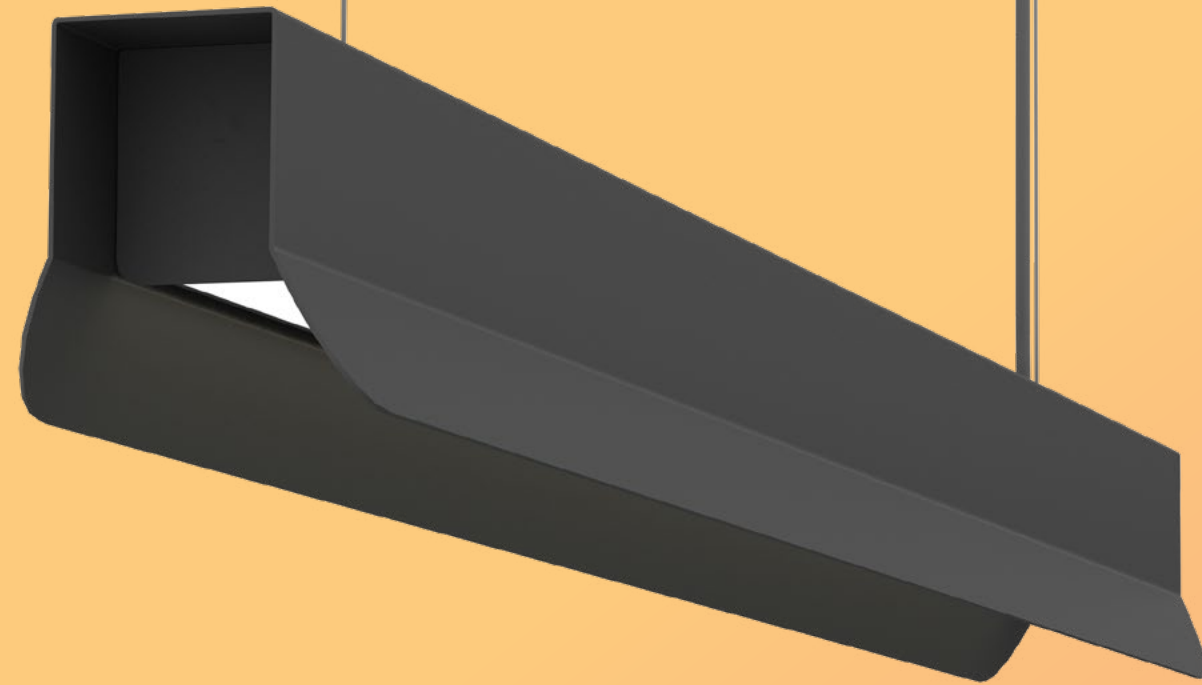


The pendant 6" deep RAPP-P-ASY-6D is ideal for wall washing and asymmetric focus lighting. Designed to emphasize a certain area or object in a room.



LIGHT DISTRIBUTION



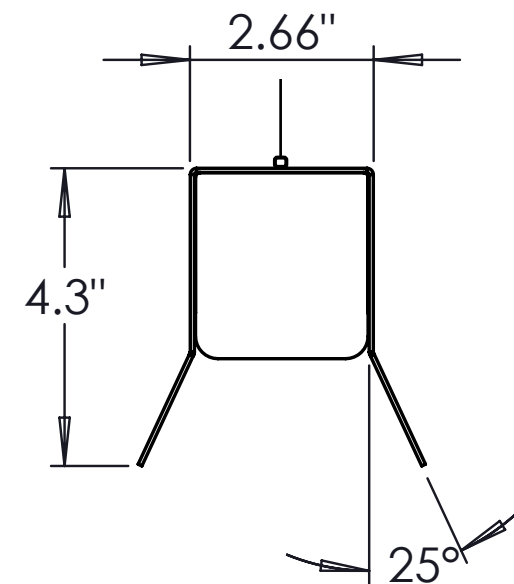


RAPP-P-25DEG

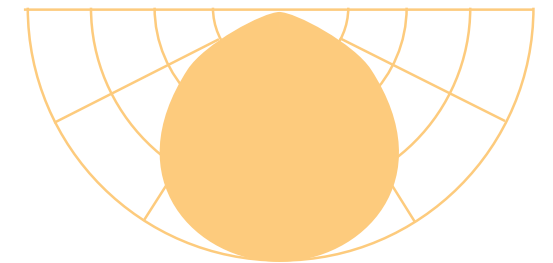
[SPEC SHEET & IES FILES](#)



The wide flood pendant RAPP-25DEG enables the luminaire to achieve desired light and uniformity levels in low ceiling applications or where luminaires are spread further apart.



LIGHT DISTRIBUTION



RAPP-P

Light distributions

RAPP-P-4D
Standard



RAPP-P-6D
Narrow



RAPP-P-ASY-4D
Asymmetric



RAPP-P-ASY-6D
Asymmetric

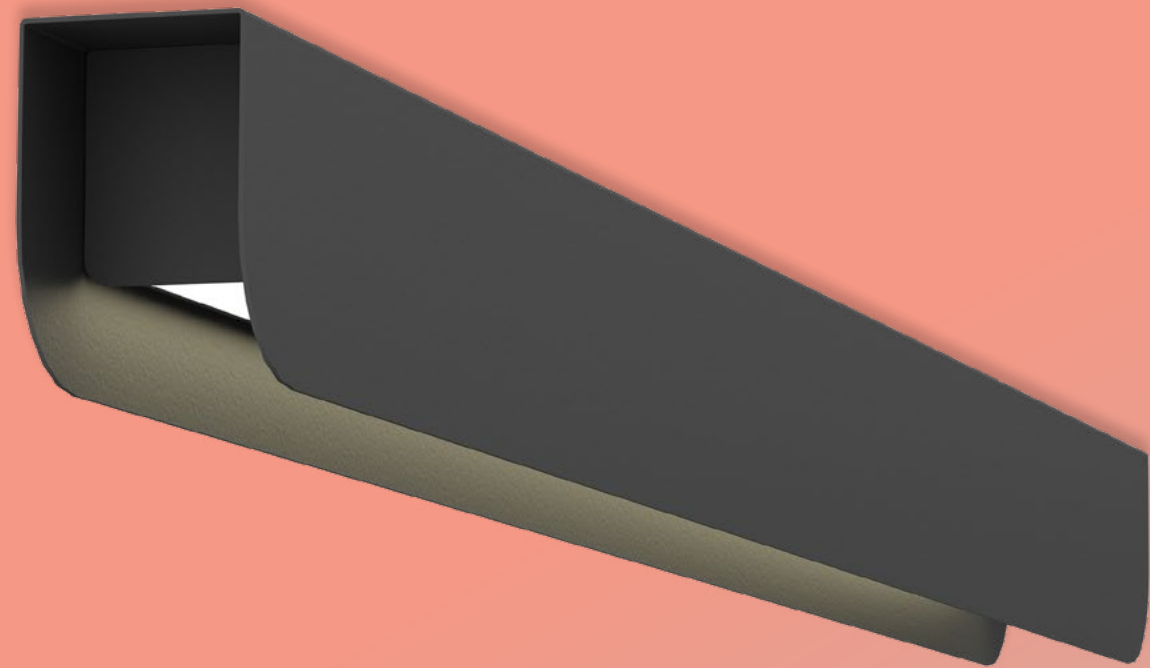


RAPP-P-25DEG
Wide



RAPP SURFACE

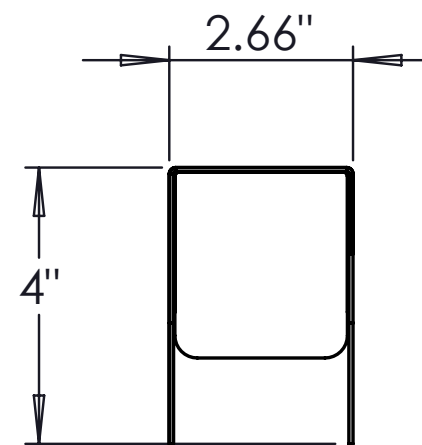




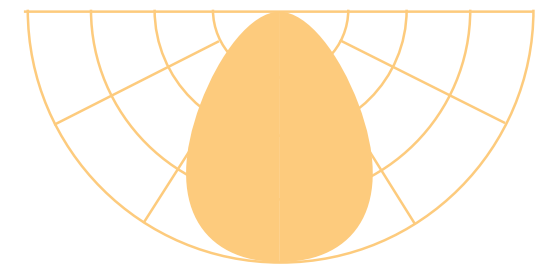
Straight surface 4" deep RAPP with symmetric flood distribution and excellent uniformity. Ideal for standard ceiling height (8 to 10ft) and general lighting applications like hallways, classrooms and offices.

RAPP-S-4D

SPEC SHEET & IES FILES



LIGHT DISTRIBUTION



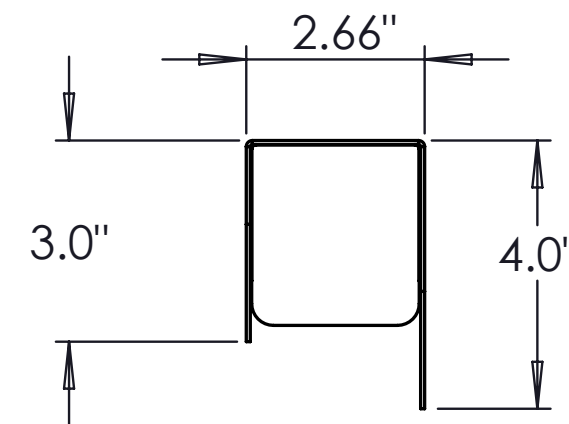


RAPP-S-ASY-4D

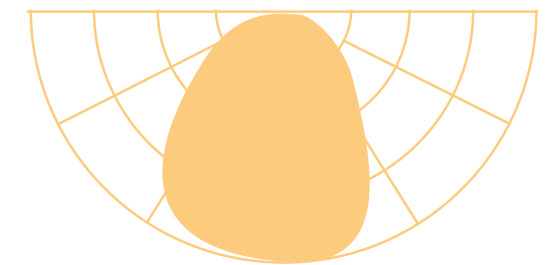
[SPEC SHEET & IES FILES](#)

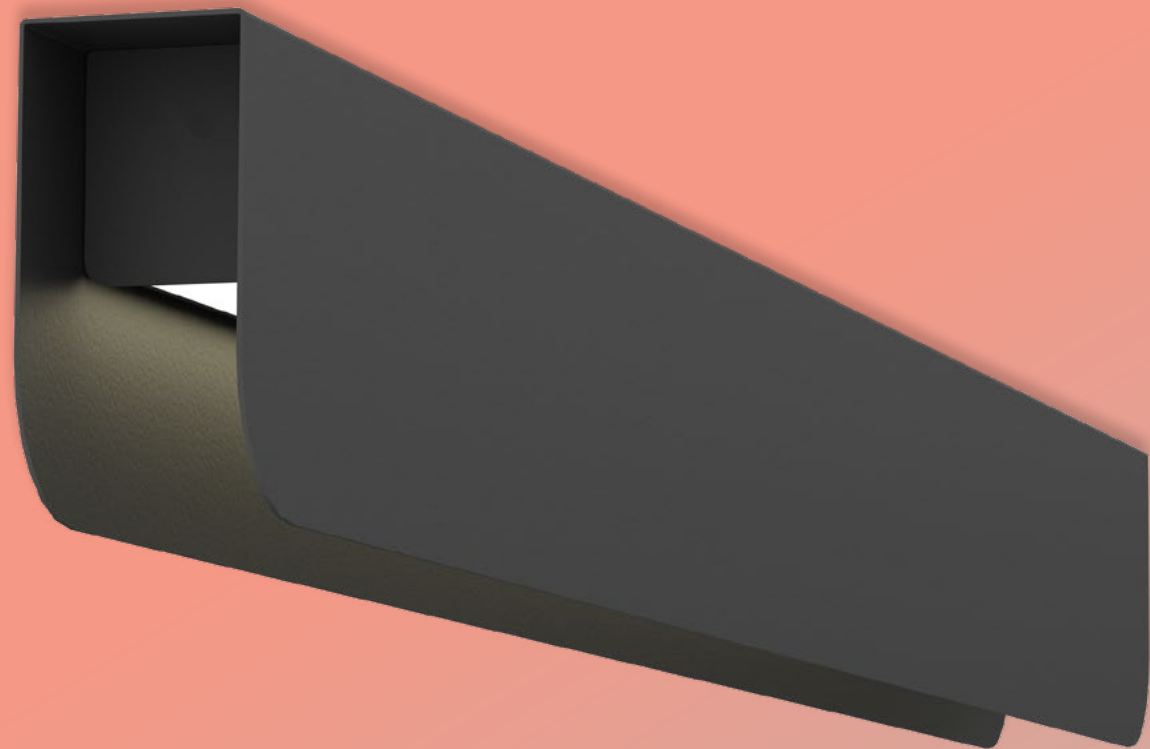


The RAPP surface 4" asymmetric deflector is a discrete way to light up a wall area from the ceiling down. With its low profile, this luminaire can blend discretely with its surroundings or act as a small accent if painted a different color.



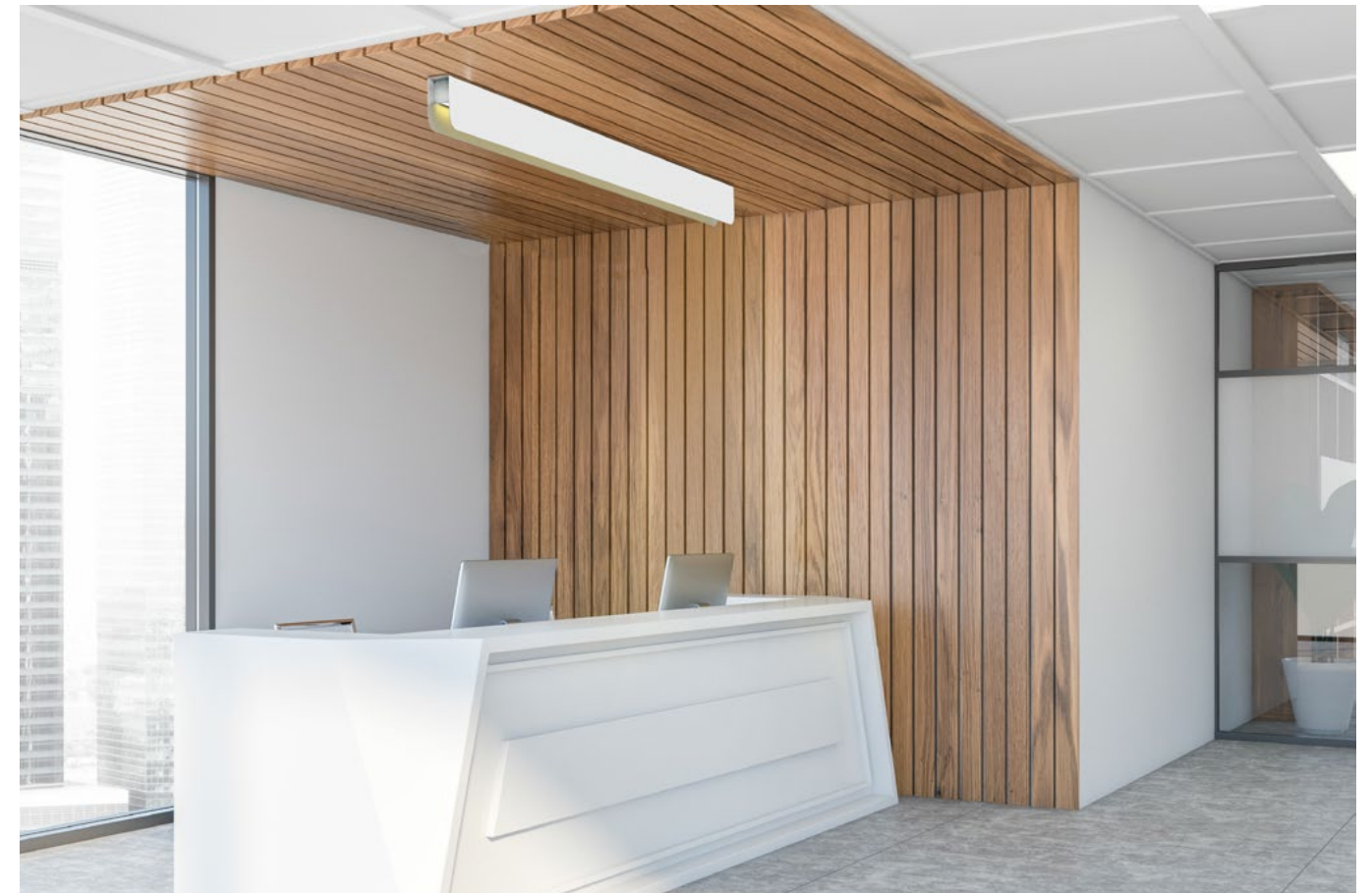
LIGHT DISTRIBUTION



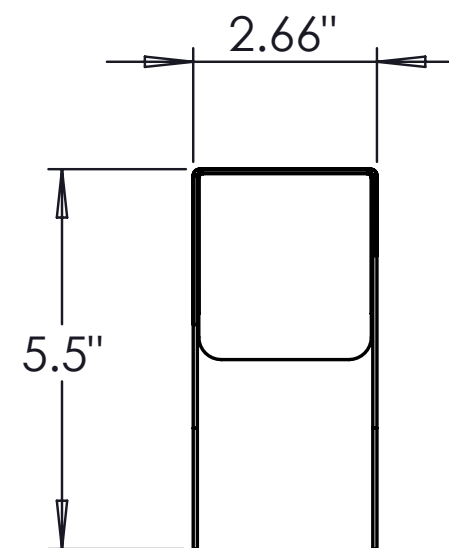


RAPP-S-6D

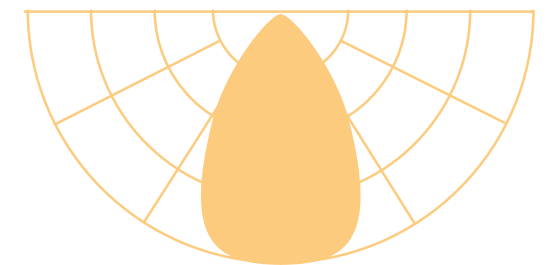
[SPEC SHEET & IES FILES](#)

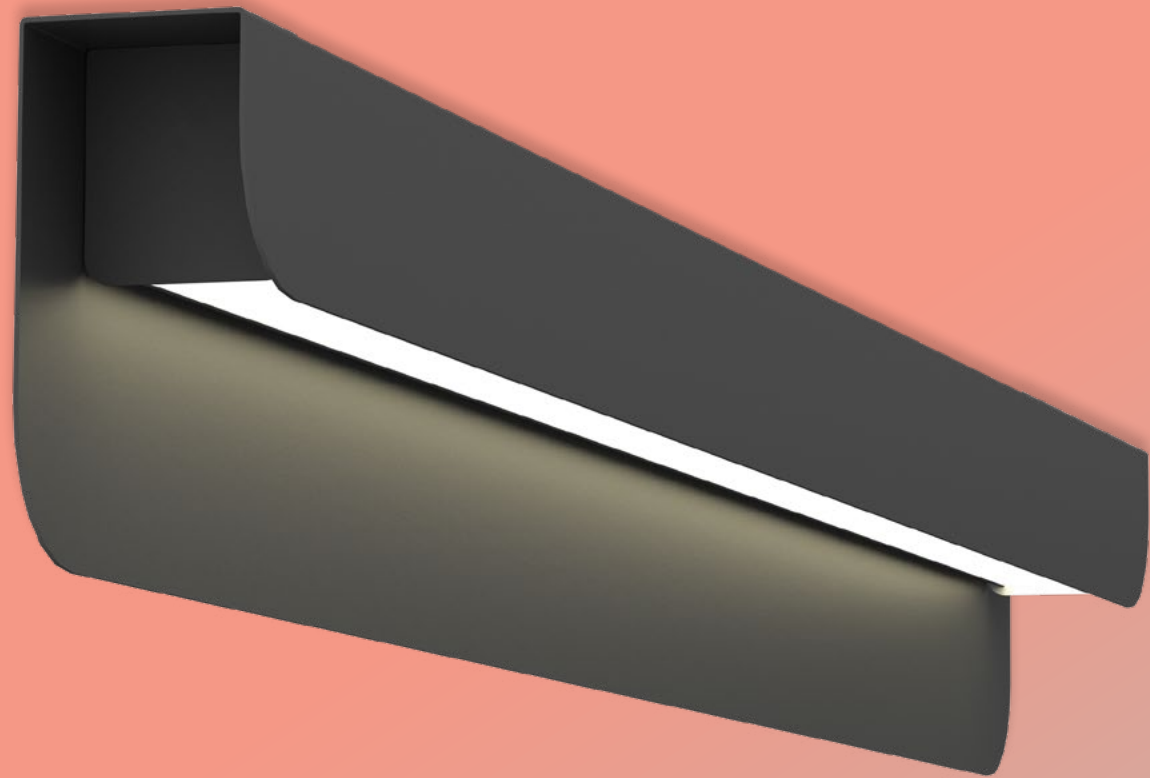


Straight surface 5.5" deep RAPP for narrow distribution. Ideal for work areas, restaurant tables, corridors & task lighting.



LIGHT DISTRIBUTION



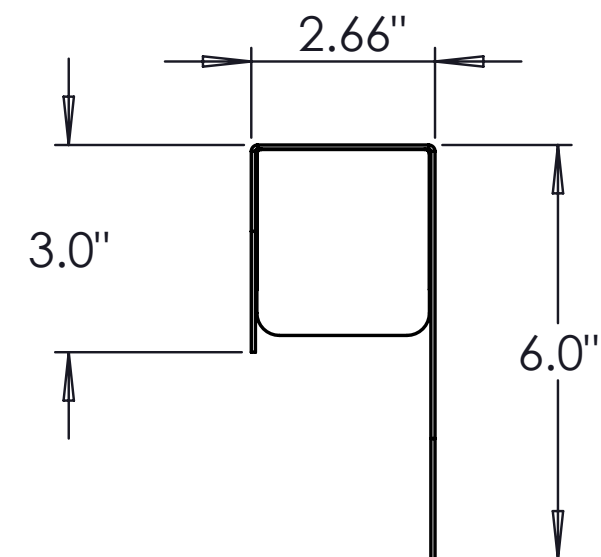


RAPP-S-ASY-6D

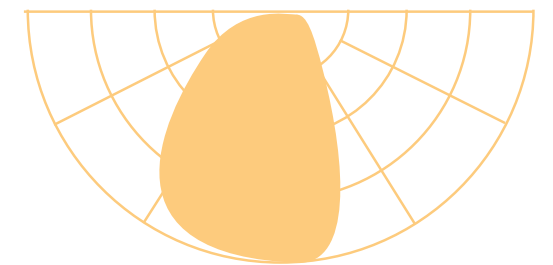
[SPEC SHEET & IES FILES](#)

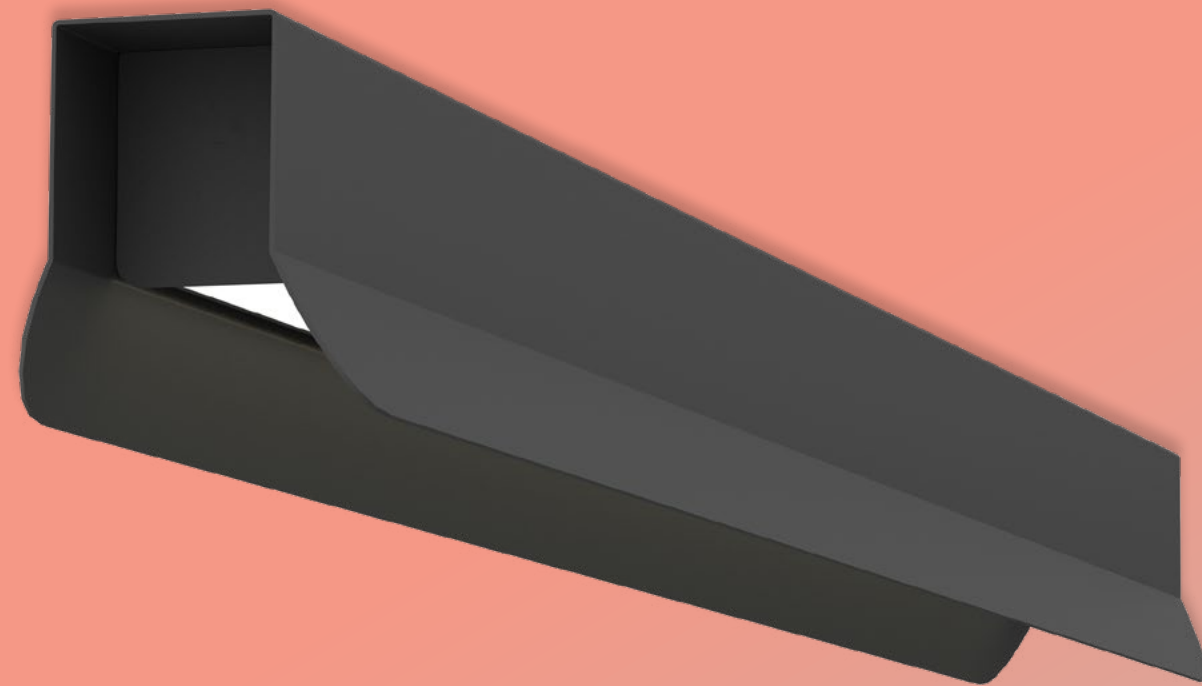


The RAPP surface 6" asymmetric fixtures perfectly hide the light source while providing the desired lighting to a specific area being showcased.



LIGHT DISTRIBUTION



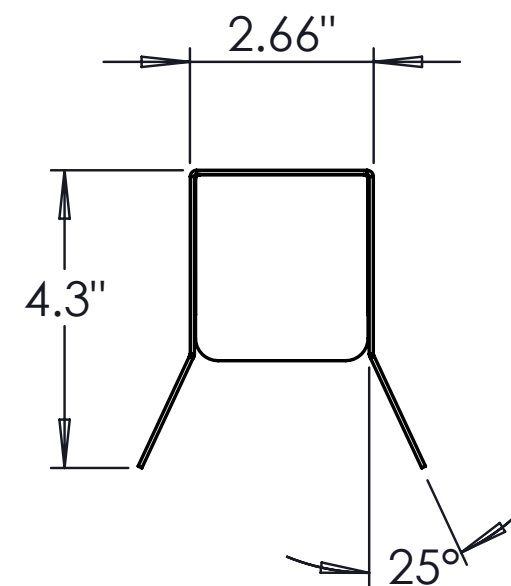


RAPP-S-25DEG

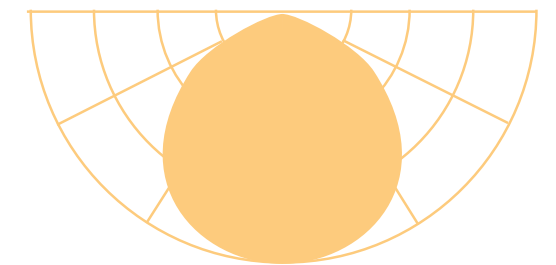
SPEC SHEET & IES FILES

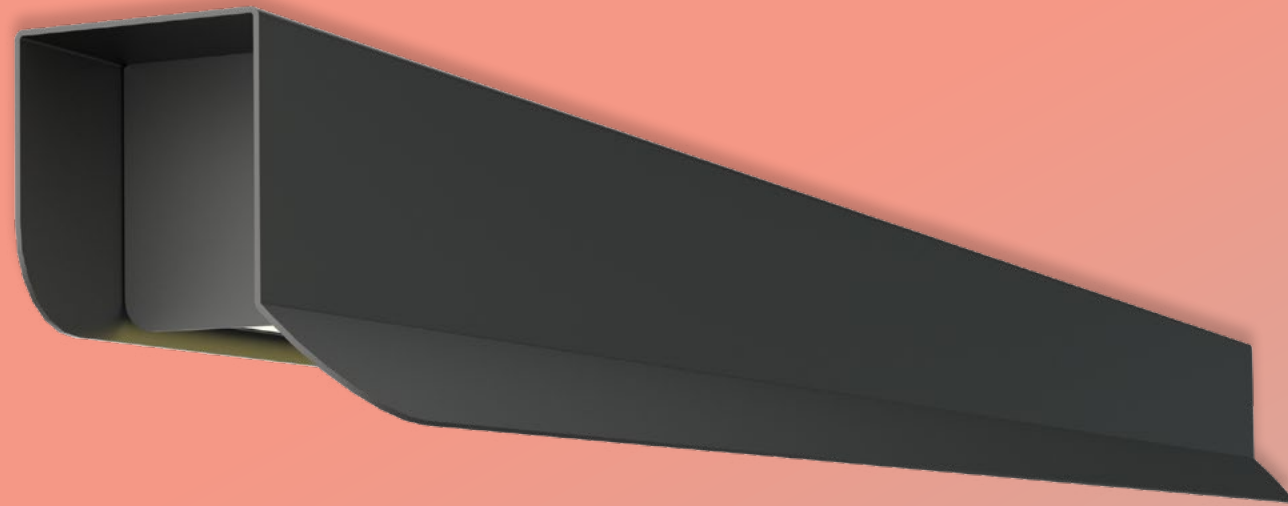


The wide flood surface RAPP-25DEG enables the luminaire to achieve desired light levels and uniformity in low ceiling applications or where the luminaires are spread out.



LIGHT DISTRIBUTION



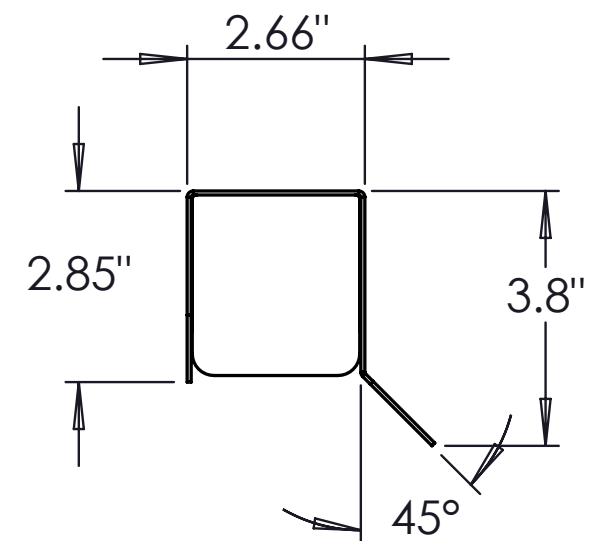


RAPP-S-ASY45

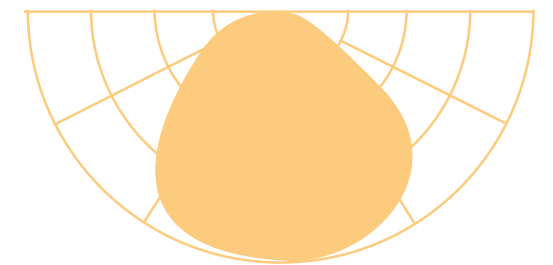
[SPEC SHEET & IES FILES](#)



The surface RAPP-S-ASY45 is a corner mount luminaire. Should be installed on the ceiling at several inches or a couple of feet from the wall. Which is designed to light up the wall in addition to spread its 45 degree beam towards the open area.



LIGHT DISTRIBUTION



RAPP-S

Light distributions

RAPP-S-4D
Standard



RAPP-S-ASY-4D
Asymmetric



RAPP-S-6D
Narrow



RAPP-S-ASY-6D
Asymmetric



RAPP-S-25DEG
Wide

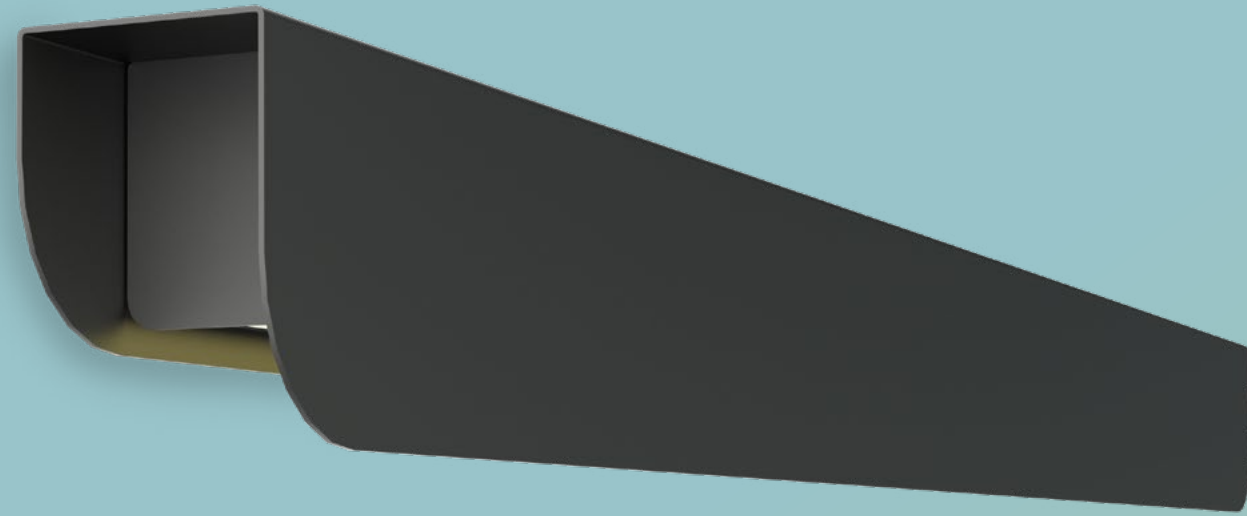


RAPP-S-ASY45
Asymmetric



RAPP WALL MOUNT



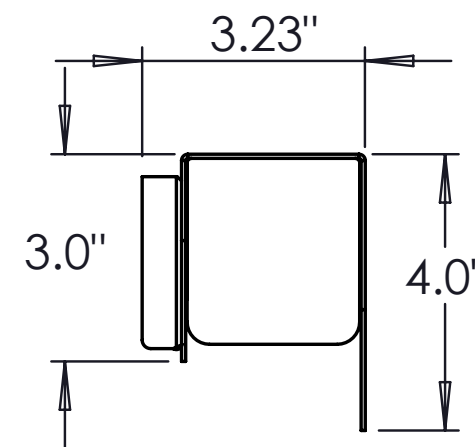


RAPP-W-ASY-4D

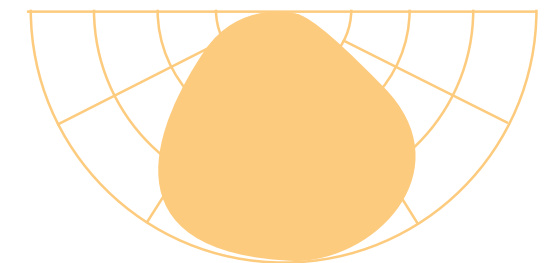
SPEC SHEET & IES FILES

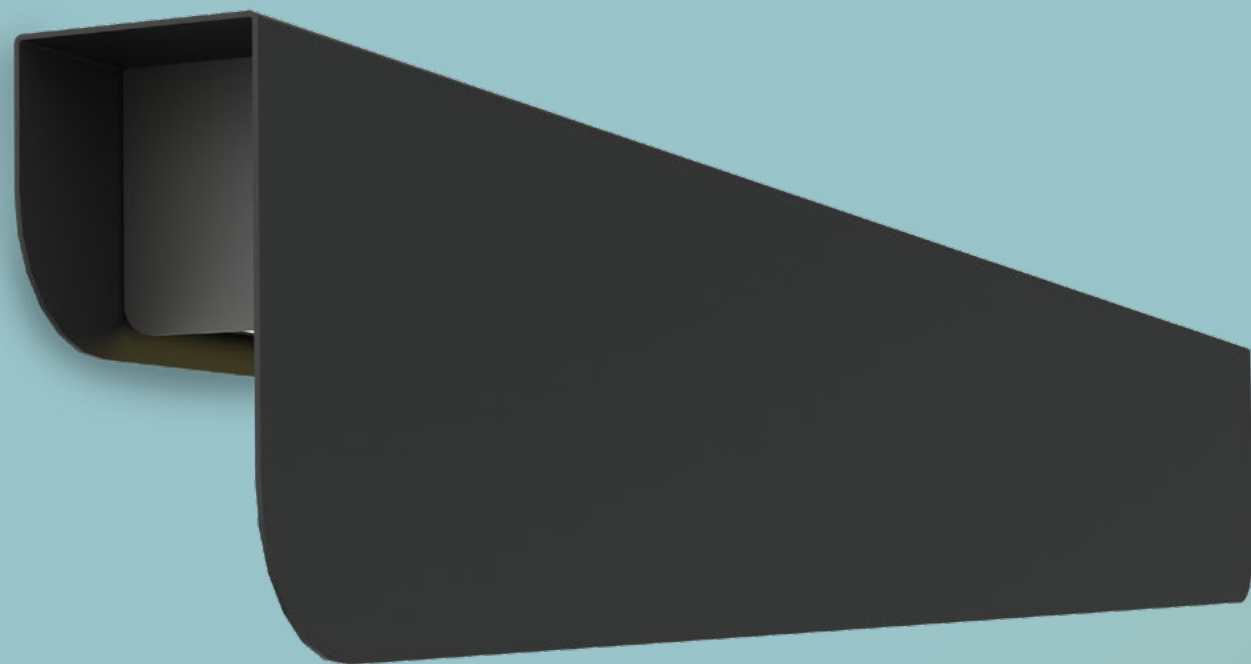


Wall mounted 4" asymmetric RAPP used mostly for wall washing. ADA compliant luminaire of choice for corridors in institutional facilities and hotels.



LIGHT DISTRIBUTION



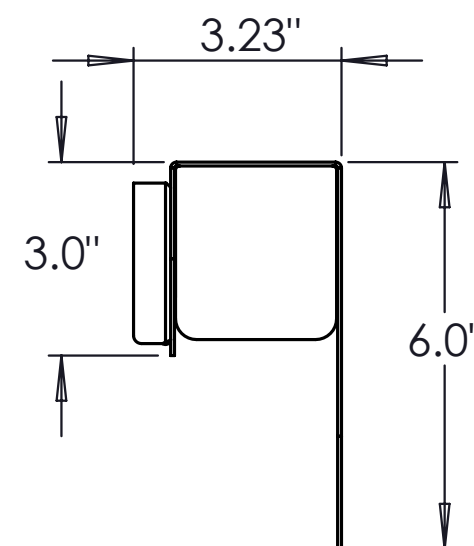


RAPP-W-ASY-6D

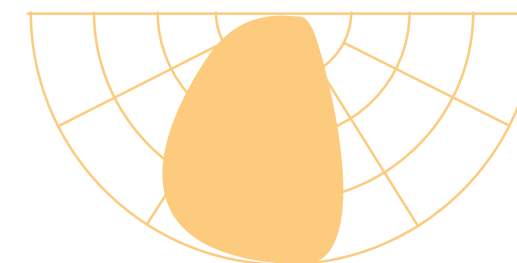
SPEC SHEET & IES FILES

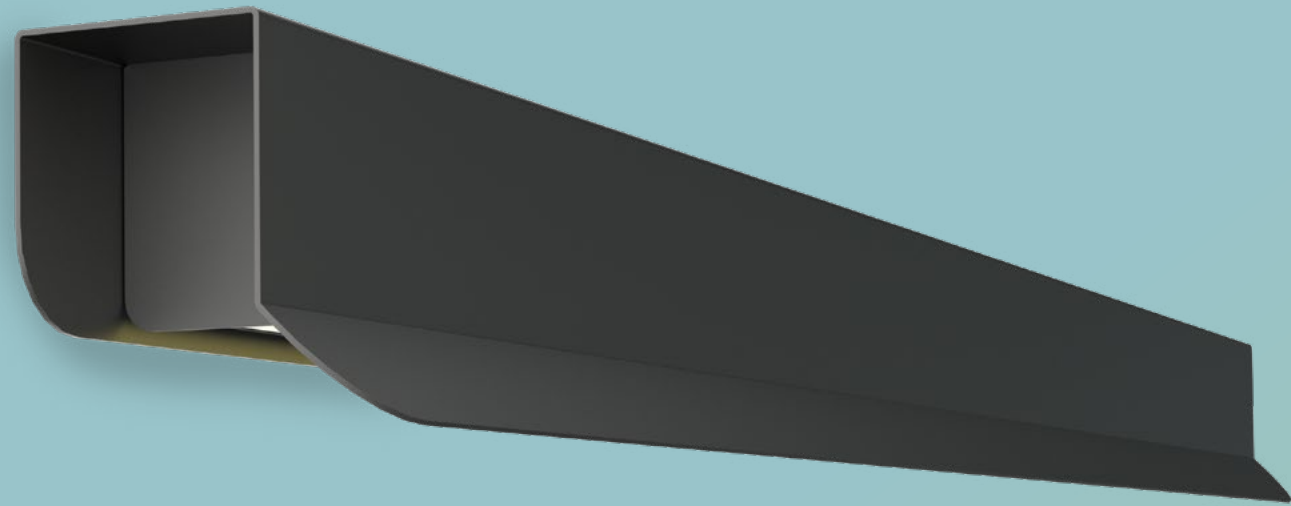


Wall mounted 6" asymmetric RAPP designed for wall washing. ADA compliant luminaire of choice for corridors in institutional facilities and hotels. Featuring a bigger 6" facade and beautiful aesthetics, this luminaire makes a fine wall accessory.



LIGHT DISTRIBUTION



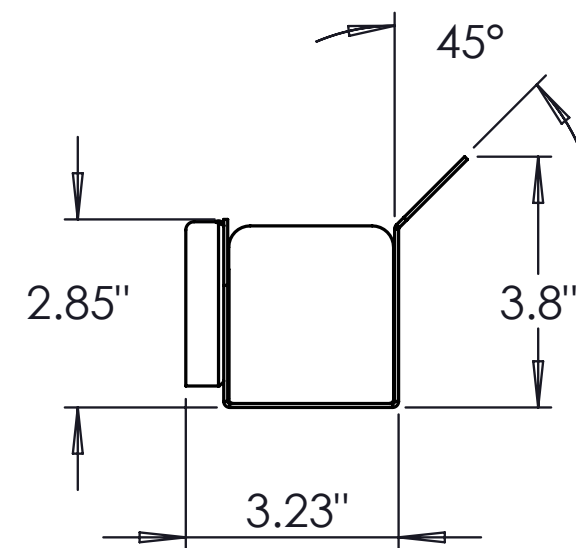


RAPP-W-ASY45

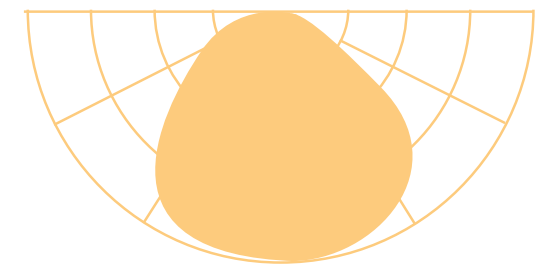
[SPEC SHEET & IES FILES](#)



The wall mounted RAPP-W-ASY45 is your luminaire of choice for cove lighting or to light up a room indirectly via the ceiling. The 45 degree angle will help with the spread and hide the light source. Comfortable non glaring solution.



LIGHT DISTRIBUTION



RAPP-W

Light distributions

RAPP-W-ASY-4D

Standard

RAPP-W-ASY45

Wide

RAPP-W-ASY-6D

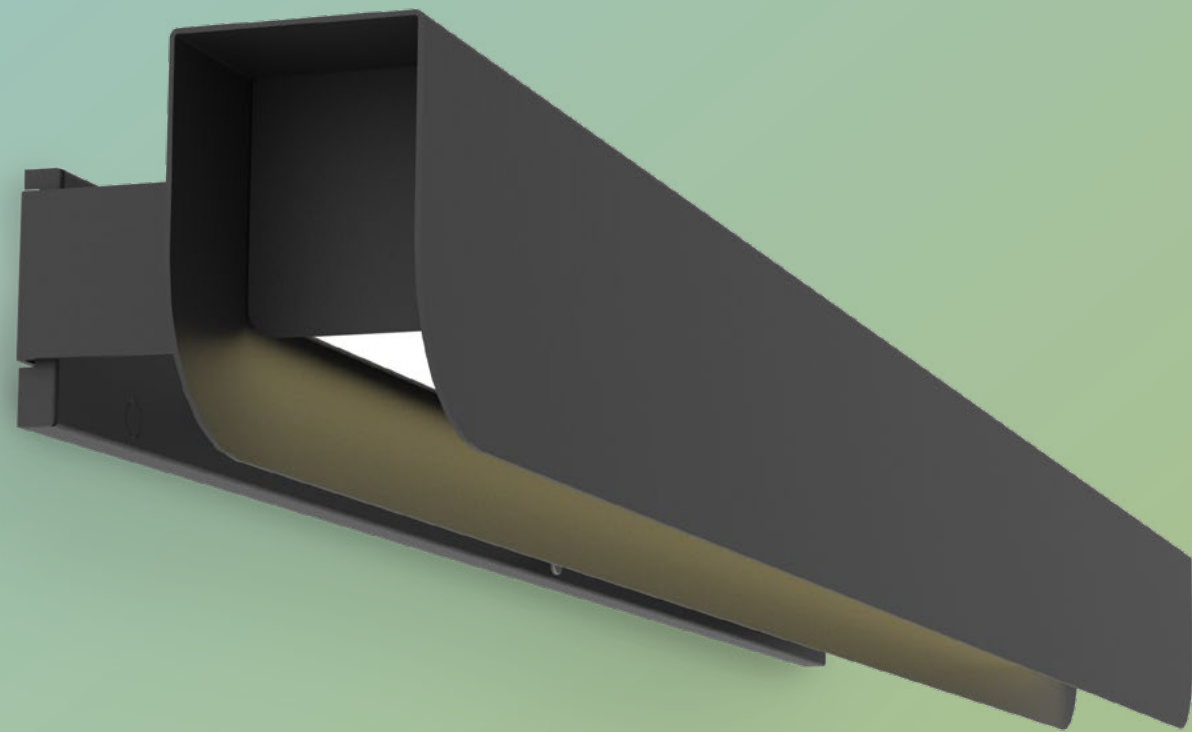
Narrow





RAPP ADJUSTABLE MOUNTING



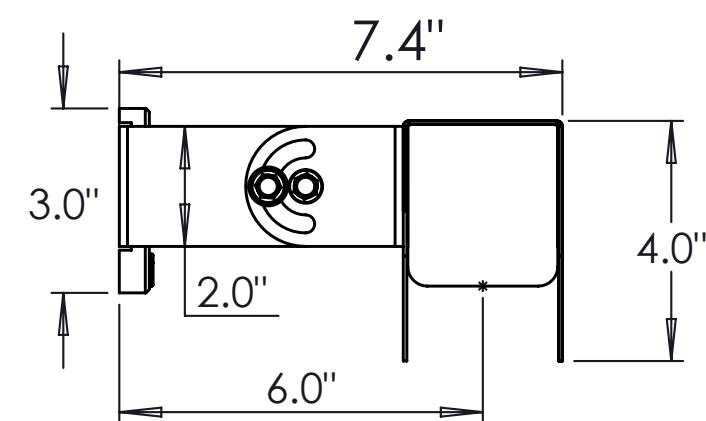


RAPP-AM-4D

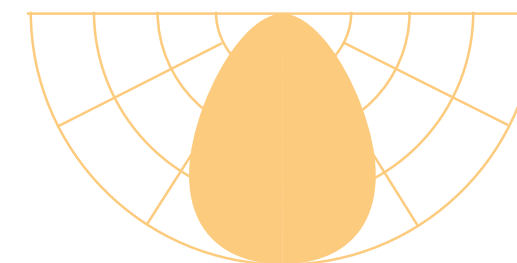
SPEC SHEET & IES FILES

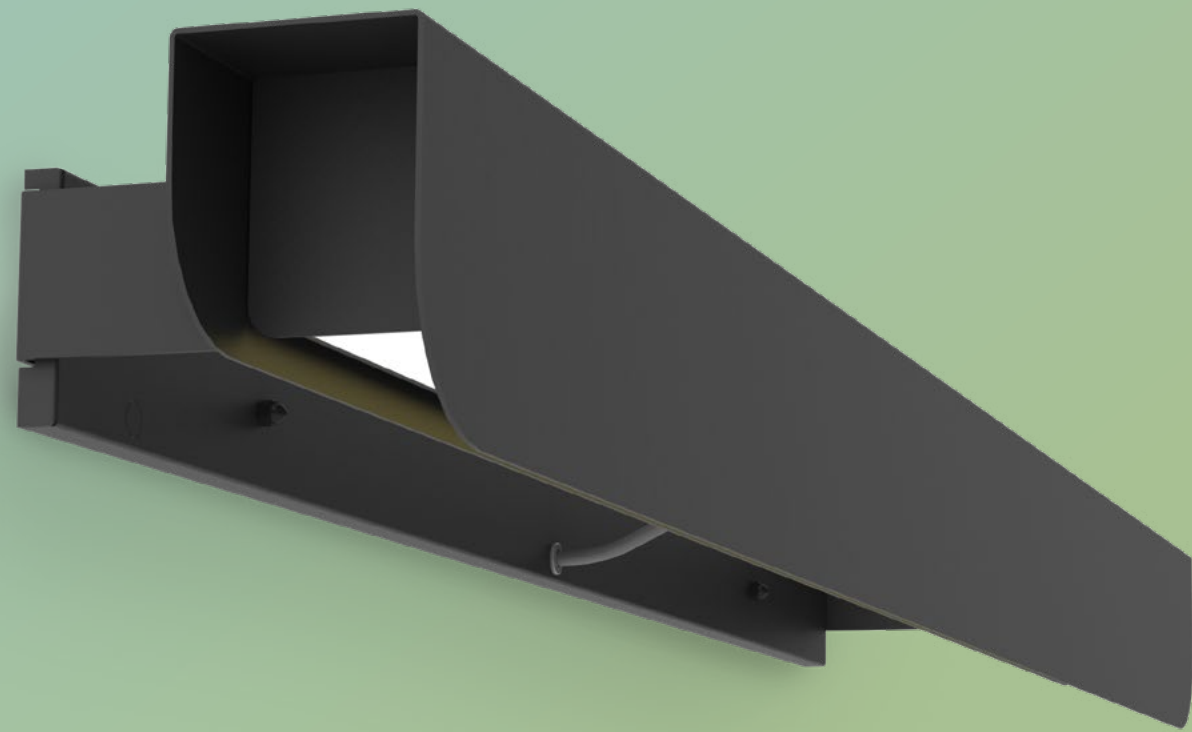


Straight 4" deep RAPP with symmetric flood distribution installed with a 90 degree adjustable mounting bracket.



LIGHT DISTRIBUTION



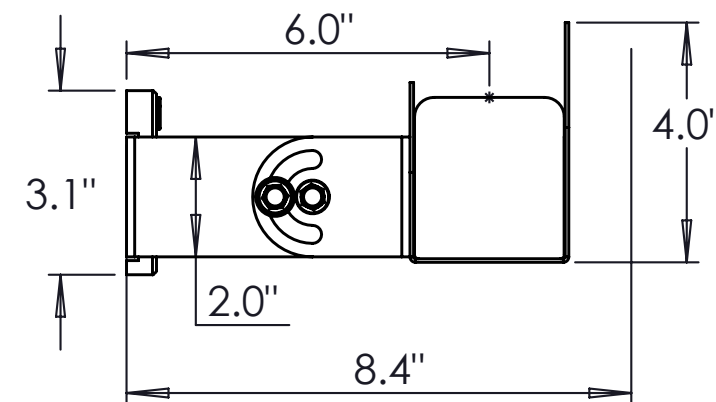


RAPP-AM-ASY-4D

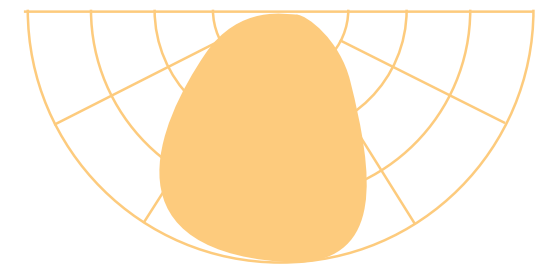
[SPEC SHEET & IES FILES](#)

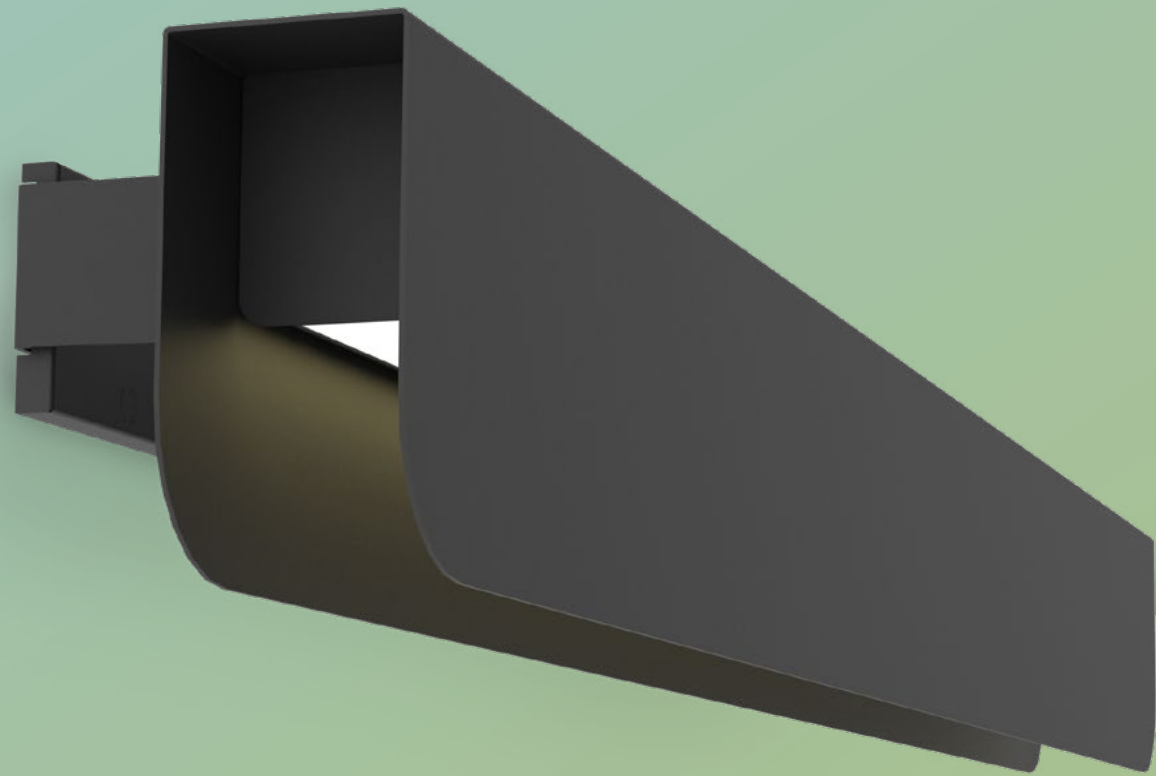


4" deep RAPP with asymmetric distribution installed with a 90 degree adjustable mounting bracket. An excellent lighting solution for classroom boards, galleries, museums or promotional posters.



LIGHT DISTRIBUTION



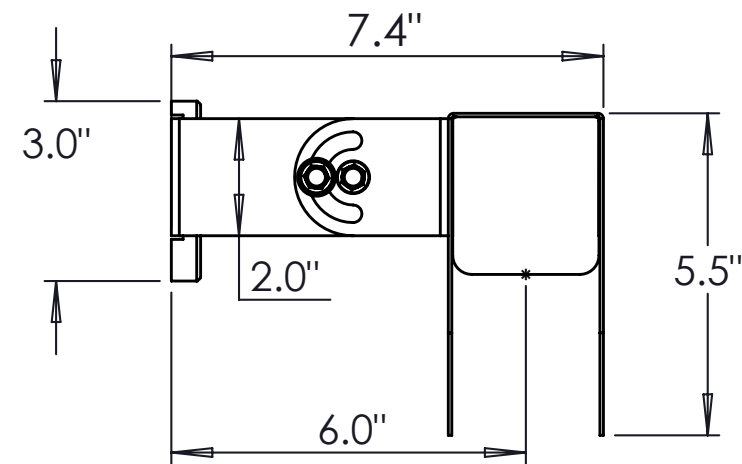


RAPP-AM-6D

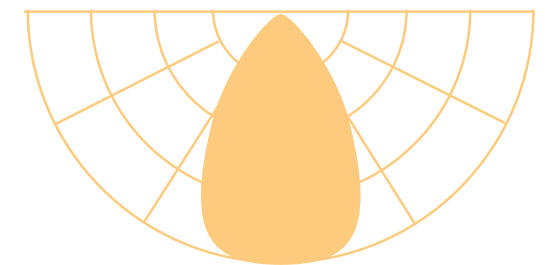
[SPEC SHEET & IES FILES](#)

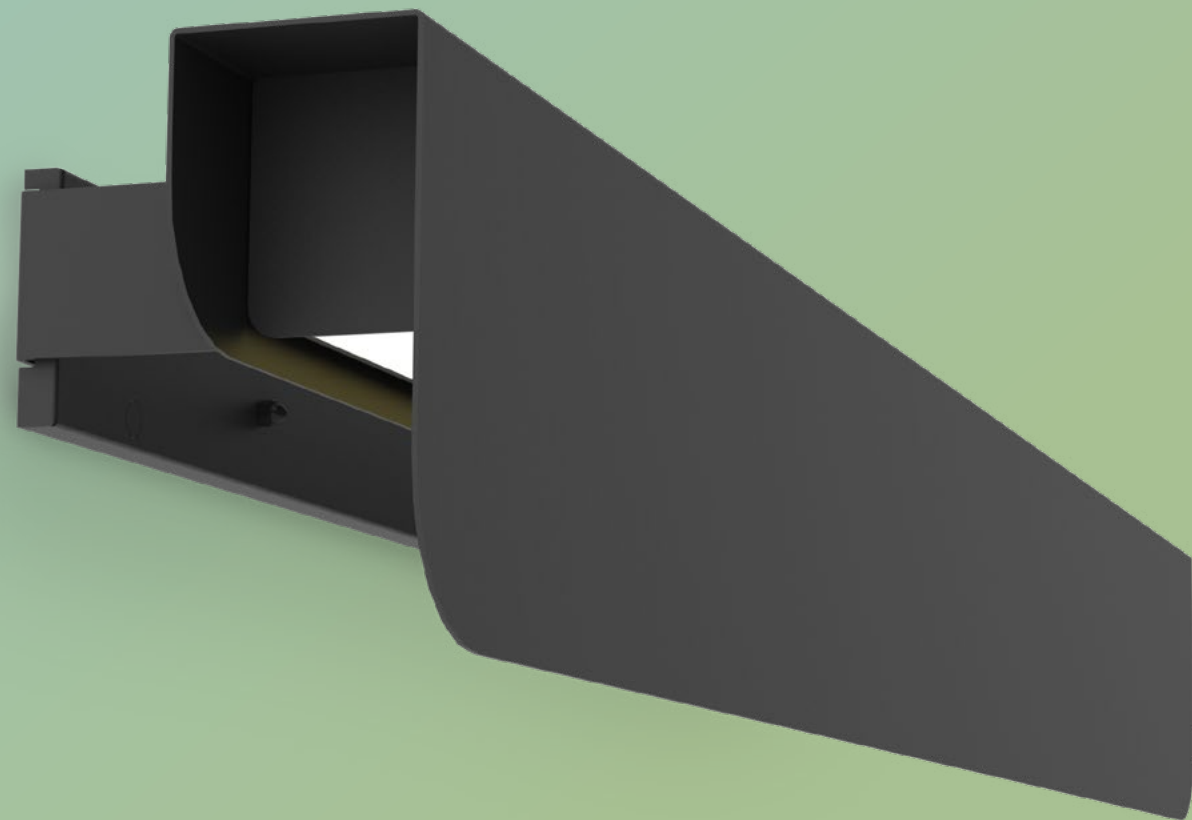


Straight 5.5" deep RAPP for narrow distribution. Focus light where it is important with the adjustable mounting. Ideal for a wide spot effect, accent lighting, task lighting, etc.



LIGHT DISTRIBUTION



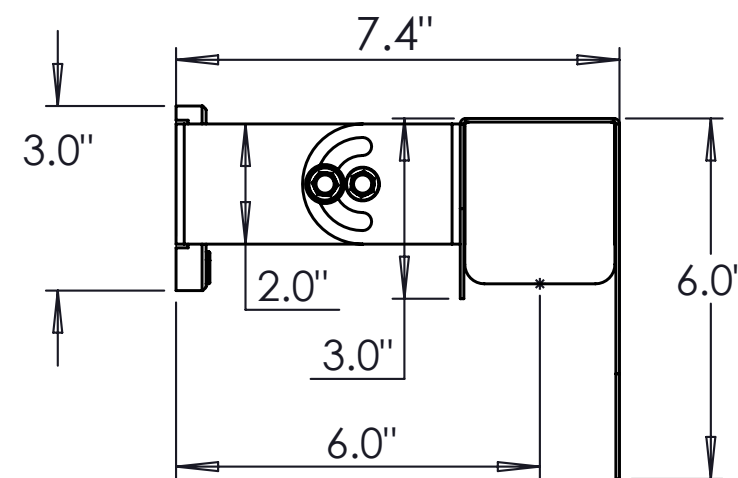


RAPP-AM-ASY-6D

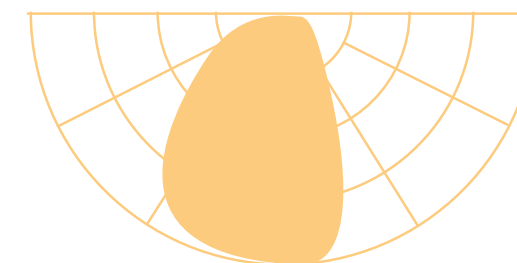
[SPEC SHEET & IES FILES](#)

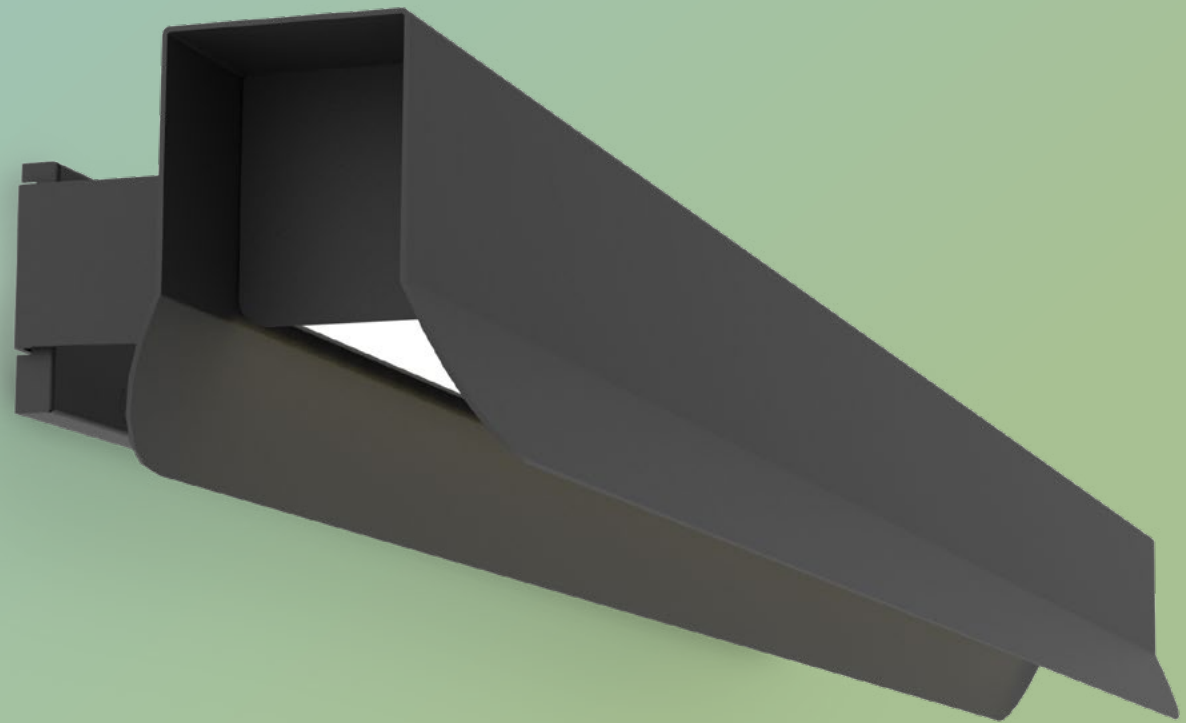


6" deep RAPP with asymmetric distribution installed with a 90 degree adjustable mounting bracket. An excellent lighting solution for classroom boards, museums, galleries or promotional posters. The extra 2 inches will give you a better cutoff when it comes to distribution



LIGHT DISTRIBUTION



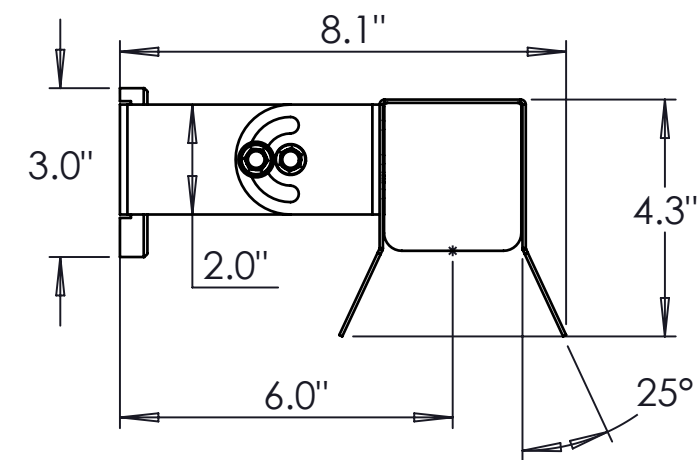


RAPP-AM-25D

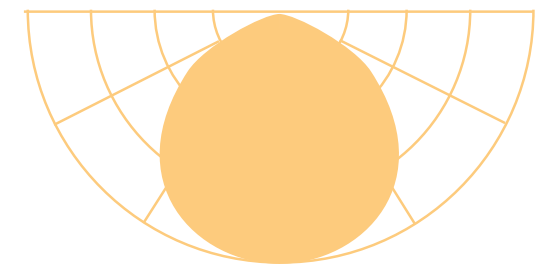
[SPEC SHEET & IES FILES](#)



The RAPP-AW-25DEG has a wide symmetric flood distribution installed with a 90 degree adjustable mounting bracket.



LIGHT DISTRIBUTION



RAPP-AM

Light distributions

RAPP-AM-4D

Standard



RAPP-AM-ASY-4D

Asymmetric



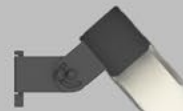
RAPP-AM-6D

Asymmetric



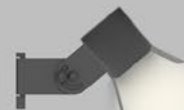
RAPP-AM-ASY-6D

Narrow



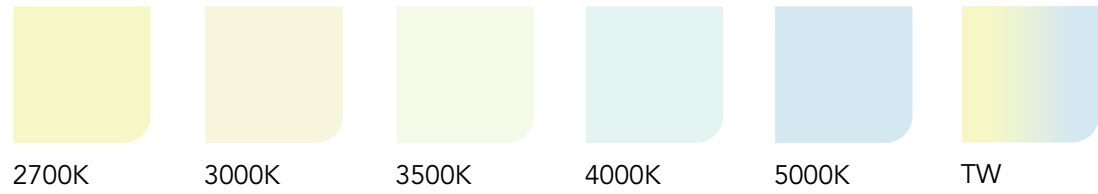
RAPP-AM-25DEG

Wide



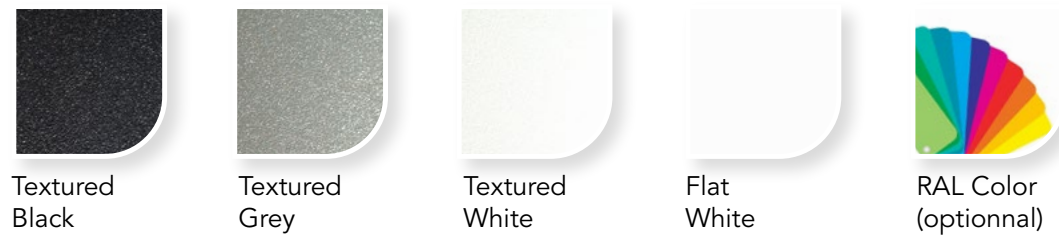
Dress your RAPP

COLOR TEMPERATURES

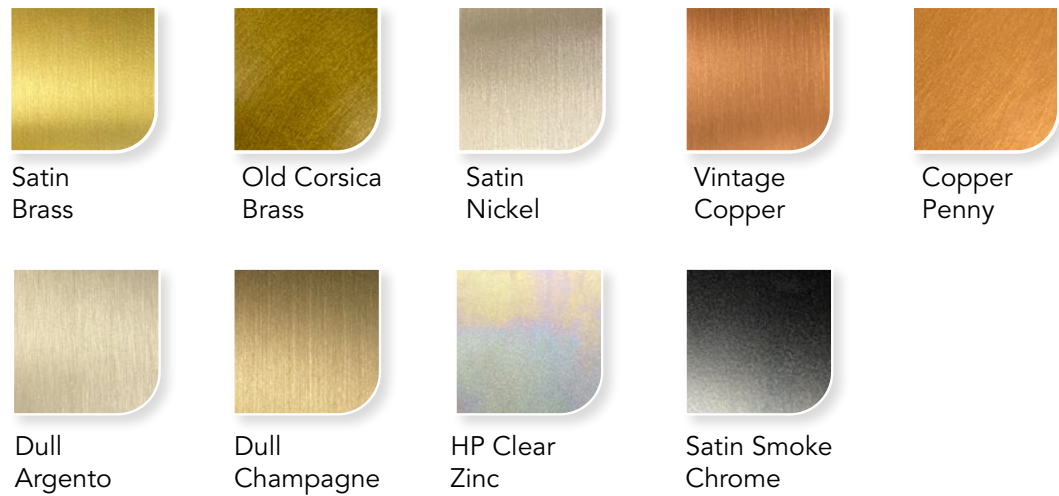


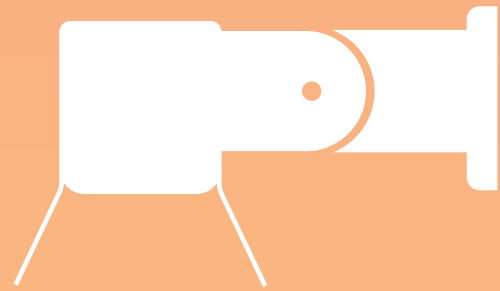
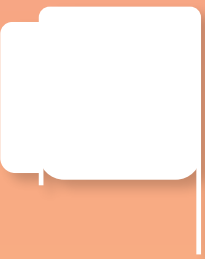
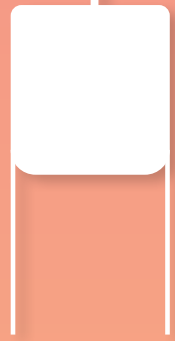
FINISHES

POWDER COATED



ELECTROPLATING





780 salaberry
Laval QC H7S 1H3
450.668.9620



info@pacolighting.com
www.pacolighting.com



Follow Us:



LinkedIn



Facebook



Instagram



MADE IN CANADA
FAIT AU CANADA

